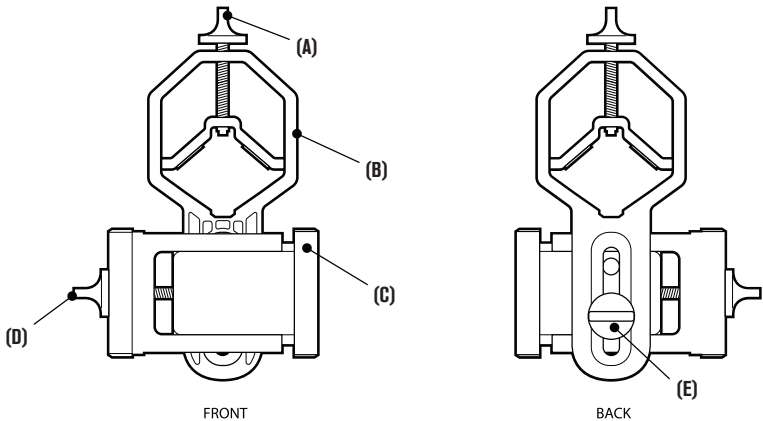


USING YOUR SMARTPHONE ADAPTER

Model #81035



1. Before attaching the adapter, look through your optic (telescope, spotting scope, binocular, etc.) and make sure that the view is in sharp focus.
2. Open the **eyepiece clamp (B)** by loosening the **eyepiece clamp knob (A)** at the top of the eyepiece clamp.
3. Place the eyepiece clamp over the eyepiece of your optic. Tighten the eyepiece clamp knob to secure the eyepiece clamp tightly against the eyepiece.

NOTE: Make sure to mount the clamp on a section of the eyepiece barrel that does not rotate freely, such as an eye relief adjuster.

4. Loosen the **holder clamp knob (D)** until the **holder clamp (C)** is open wide enough to accommodate the width of your phone. Once the phone is in place, tighten the holder clamp knob until the phone is secured.

NOTE: This adapter can be used with most phone cases, but the case surface **MUST** be flat so it will fit in the holder correctly. Any grips, stands, rings, or raised surfaces on the case will impede the placement of the phone. All folio-style phone cases must be removed.

5. Launch the camera app on your phone. Loosen the **holder alignment knob (E)** and adjust the positioning of your phone camera so that it lines up with the eyepiece of your optic.
6. Once the camera is over the eyepiece and your camera is capturing the view through the eyepiece, carefully tighten the holder alignment knob to secure your phone in position.
7. If needed, adjust the focus on your optic again for the sharpest possible view.
8. You are now ready to take images and videos using your smartphone camera!

